

## Low-Mu Triode

### FORCED-AIR COOLED

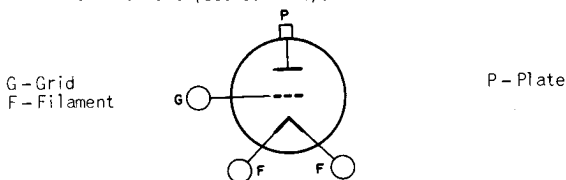
#### GENERAL DATA

#### Electrical:

	Min.	Av.	Max.	
Filament, Thoriated Tungsten:				
Voltage (AC or DC) . . . . .	-	7.5 ± 5%	-	volts
Current at 7.5 volts . . . . .	49	-	54	amp
Amplification Factor . . . . .	4.4	-	5.6	
Transconductance, for plate volts = 3000, and plate amp = 1 . . . . .	-	11000	-	μmhos
Direct Interelectrode Capac- itances (Approx.):				
Grid to plate . . . . .	-	17	-	pf
Grid to filament . . . . .	-	30	-	pf
Plate to filament . . . . .	-	2.6	-	pf

#### Mechanical:

Operating Position . . . . .	Vertical, base up or down
Maximum Rigid Length . . . . .	10.53"
Maximum Diameter . . . . .	4.156"
Weight (Approx.) . . . . .	7.5 lbs
Terminal Connections (See Outline):	



#### Thermal:

Seal Temperatures . . . . .	150 max.	°C
Plate Core Temperature . . . . .	150 max.	°C
Air Flow . . . . .	160 min.	cfm
Static Pressure . . . . .	3.6 in.	of water

#### AF POWER AMPLIFIER & MODULATOR — Class AB<sub>1</sub><sup>a</sup>

#### Maximum CCS<sup>b</sup> Ratings, Absolute-Maximum Values:

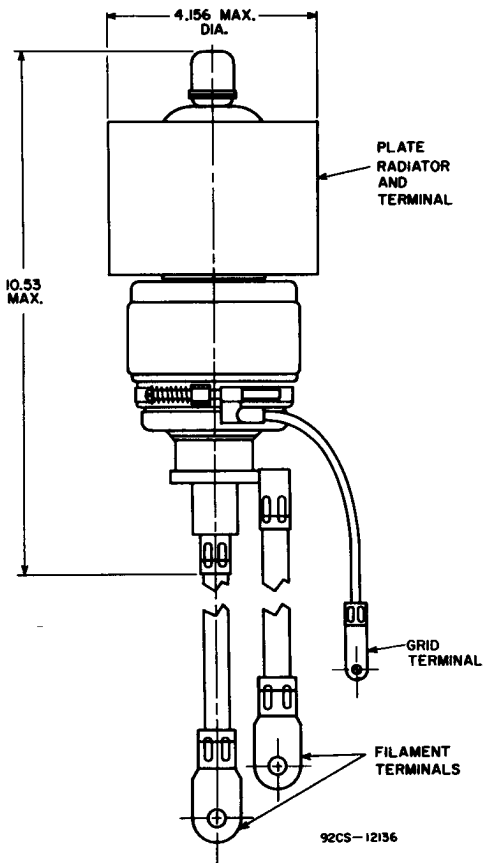
DC Plate Voltage . . . . .	6000 max.	volts
DC Plate Current . . . . .	2.5 max.	amp
Grid Input . . . . .	50 max.	watts
Plate Dissipation . . . . .	3000 max.	watts

<sup>a</sup> Subscript 1 indicates that grid current does not flow during any part of the input cycle.

<sup>b</sup> Continuous Commercial Service.



# 8239/3X3000F1



DIMENSIONS IN INCHES